

Balustrades

PUSH-FIT STAINLESS STEEL BALUSTRADES

All parts are brushed stainless steel and push fit so that there is no need for welding. Joints can be permanently connected by cleaning with Loctite industrial cleaner and fixing with Devcon 31-8020 2 tonne clear epoxy adhesive. (Cures in 10 minutes).

Tubes are available in cut lengths up to 6m stock length in brushed stainless steel.

Standard stock available:

Ø42.4 x 2mm	79.15.03.0260
Ø33.7 x 2.6mm	79.15.03.0270

Non-stock sizes available:

Ø48.3 x 2.6mm	79.15.03.5720
Ø25 x 2mm	79.15.03.1110
Ø16 x 2mm	79.15.03.3270
Ø14 x 2mm	79.15.03.3260
Ø12 x 1.5mm	79.15.03.3250

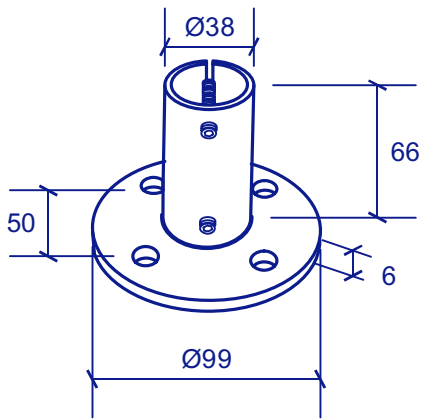
Box section is available in:

20 x 20 x 2mm	79.15.03.3210
30 x 20 x 2mm	79.15.03.3700
40 x 20 x 2mm	79.15.03.3240
40 x 40 x 2mm	79.15.03.3230

Bends available for stock diameters - Ø42.4 and Ø33.7:

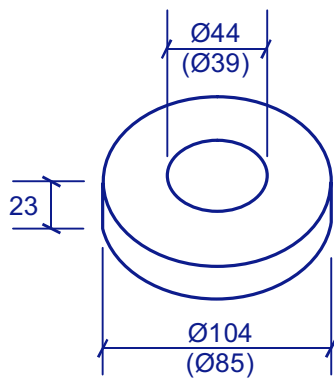
	Ø42.4	Ø33.7:
180°	79.15.03.0220	79.15.03.0320
120°	79.15.03.0210	79.15.03.0300
90°	79.15.03.0200	79.15.03.0290
60°	79.15.03.0230	79.15.03.0310
45°	79.15.03.1450	79.15.03.1410





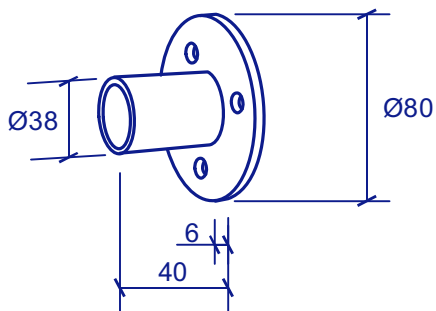
79.15.03.0060 (for Ø42.4)
79.15.03.1830 (for Ø33.7)
 Floor anchor

Requires 4 No. M10 Bolts.



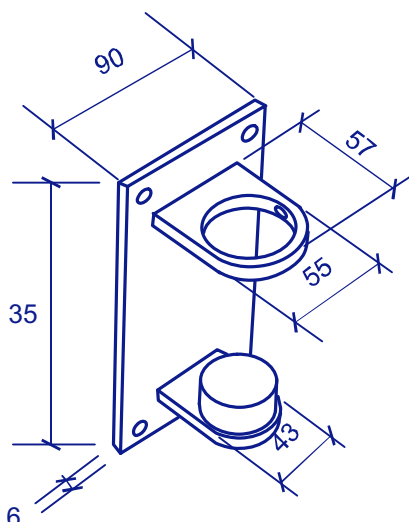
79.15.03.0050 (for Ø42.4)
79.15.03.1840 (for Ø33.7)
 Rose

Ø104 for Ø42.4
 Ø85 for Ø33.7



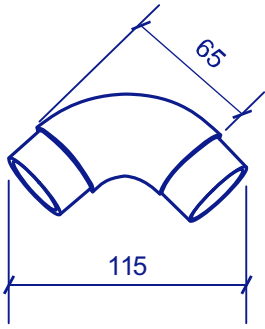
79.15.03.3980
 Wall connection flange

Only available for Ø42.4 tube.
 Ø80 wall plate has countersunk holes for 6mm woodscrews.



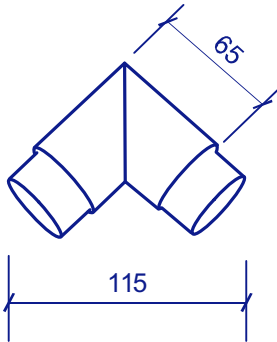
79.15.03.3970
 Wall bracket

Only available for Ø42.4 tube.
 The wall plate requires 4 No M8 bolts.



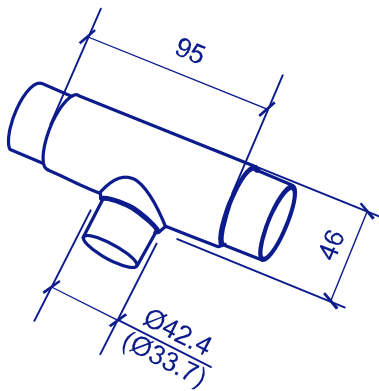
79.15.03.1730
90° Radius elbow

Only available for Ø42.4 tube.



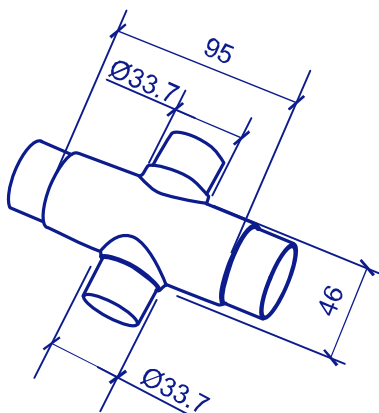
79.15.03.1770
90° Mitred bend

Only available for Ø42.4 tube.
Suitable to use when a corner post for balustrade clips is required.



79.15.03.1740
T-piece

Only available for Ø42.4 tube.
Equal outlets.

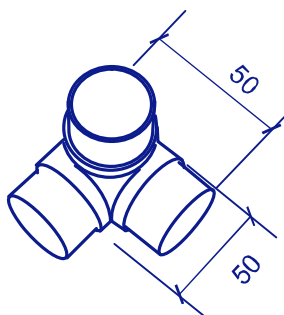


79.15.03.1750
T-piece

Only available for Ø42.4 tube.
Centre reduced outlet for Ø33.7

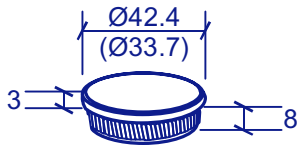
79.15.03.1760
Cross-piece

Straight outlets for Ø42.4 tube.
Cross outlets for Ø33.7 tube.

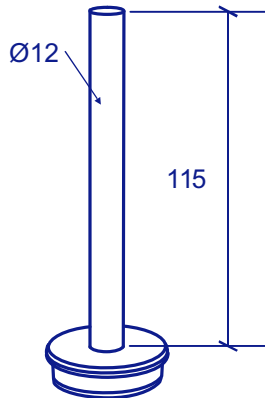


79.15.03.1870
Three-way connector

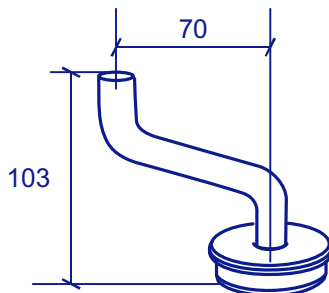
All outlets for Ø42.4 tube.



79.15.03.0100 (for Ø42.4)
79.15.03.1680 (for Ø33.7)
 End cap

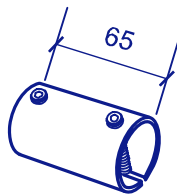


79.15.03.0240 (for Ø42.4)
79.15.03.1600 (for Ø33.7)
 Tube support cap



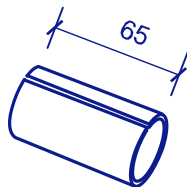
79.15.03.3940
 Cranked tube support cap

For Ø42.4 tube only.



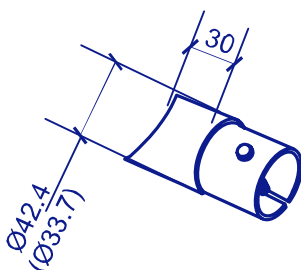
79.15.03.0150
 Connector

For Ø42.4 tube only.
 Collet with set screws.



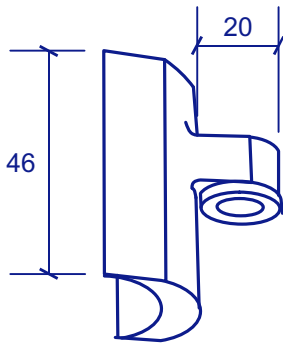
79.15.03.1580 (for Ø42.4)
79.15.03.1570 (for Ø33.7)
 Connector

For metal gluing.



79.15.03.0140 (for Ø42.4)
79.15.03.1810 (for Ø33.7)
 Connector

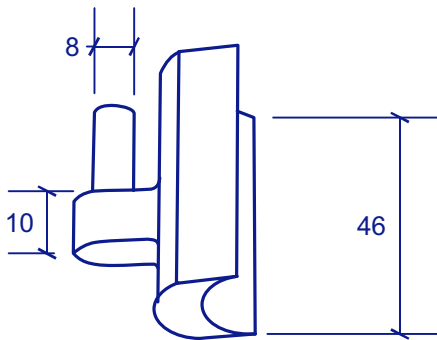
Cod-mouthed and drilled for M8 screw.
 Can be used to make most connections.



79.15.03.4050

Weld-on, screw-on flange hinge

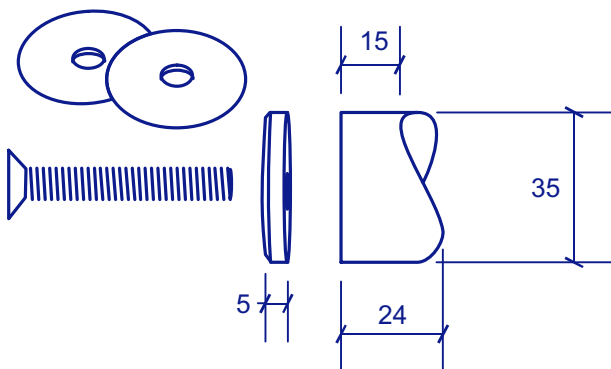
Comprising of fixed part complete with PVC bush.
Only available for Ø42.4 tube.



79.15.03.4060

Weld-on, screw-on pivot hinge

Comprising of pivot part complete with Ø8 pin.
Only available for Ø42.4 tube.

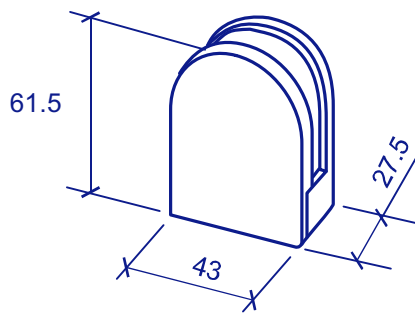


79.15.03.0090 (Ø42.4)

79.15.03.1650 (Ø33.7)

Balustrade point fitting

With socket head screw M8 x 35, plastic washers,
brushed stainless steel disc and offset.

**66.M1.--****66.M1.42.-- (Ø33 to Ø42 tube)****66.M1.48.-- (Ø42 to Ø48 tube)****66.M1.60.-- (Ø48 to Ø60 tube)**

Balustrade clip

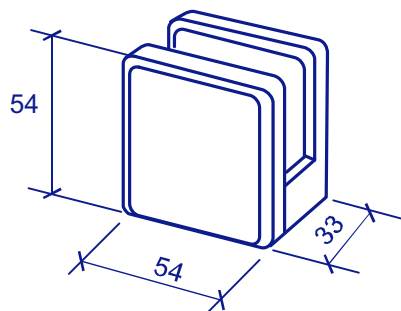
Suitable for 6, 8 or 10mm glass.

Cast zinc, electro-plated or powder coated - for internal use only.

Brushed cast stainless steel - for external use.

Safety dowels are available and required for overhead glass.

Please state glass thickness on order.

**66.M2.--****66.M2.48.-- (Ø42 to Ø48 tube)****66.M2.60.-- (Ø48 to Ø60 tube)**

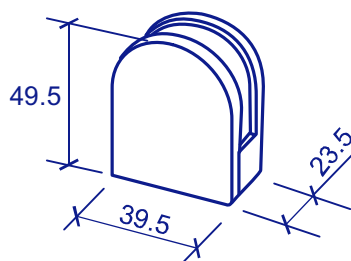
Balustrade clip

Suitable for 8, 10 or 12mm glass.

Cast zinc, electro-plated or powder coated - advised for internal use only.

Safety dowels are available and required for overhead glass.

Please state glass thickness on order.

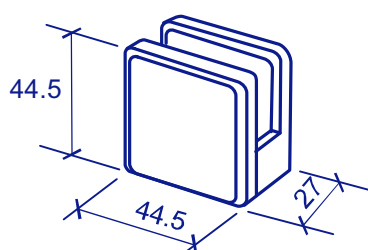
**66.M3.--****66.M3.33.-- (Ø27 to Ø33 tube)****66.M3.42.-- (Ø33 to Ø42 tube)**

Balustrade clip

Suitable for 6 or 8mm glass.

Cast zinc, electro-plated or powder coated - for internal use only.

Please state glass thickness on order.

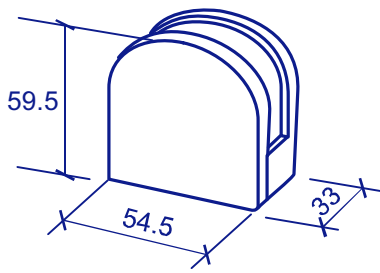
**66.M4.--****66.M4.33.-- (Ø27 to Ø33 tube)****66.M4.42.-- (Ø33 to Ø42 tube)****66.M4.48.-- (Ø42 to Ø48 tube)**

Balustrade Clip

Suitable for 6, 8 or 10mm glass.

Cast zinc, electro-plated or powder coated - for internal use only.

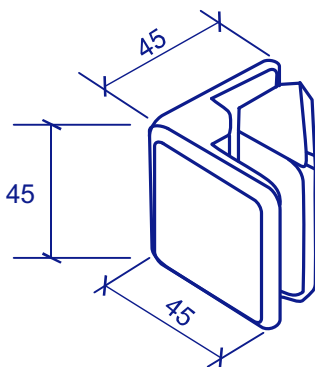
Please state glass thickness on order.



66.M5.--
66.M5.48.-- (Ø42 to Ø48 tube)
66.M5.60.-- (Ø48 to Ø60 tube)
 Balustrade clip

Suitable for 8, 10 or 12mm glass.
 Cast zinc, electro-plated or powder coated - for internal use only.
 Safety dowels are available for overhead glass.

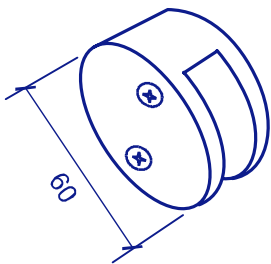
Please state glass thickness on order.



66.M6.--
 Balustrade clip

Suitable for 6-10mm glass.
 Cast zinc, electro-plated or powder coated - for internal use only.

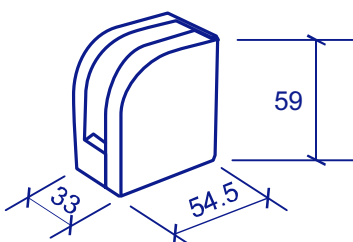
Please state glass thickness on order.



66.M7E.-- (End as illustrated)
66.M7M.-- (Middle)
 Balustrade clip

Suitable for 8, 10 or 12mm glass.
 Cast zinc, electro-plated or powder coated - for internal use only.

Please state glass thickness on order.



66.M8L.-- (Left)
66.M8R.-- (Right as illustrated)
66.M8L/R.48.-- (Ø42 to Ø48 tube)
66.M8L/R.60.-- (Ø48 to Ø60 tube)
 Balustrade clip

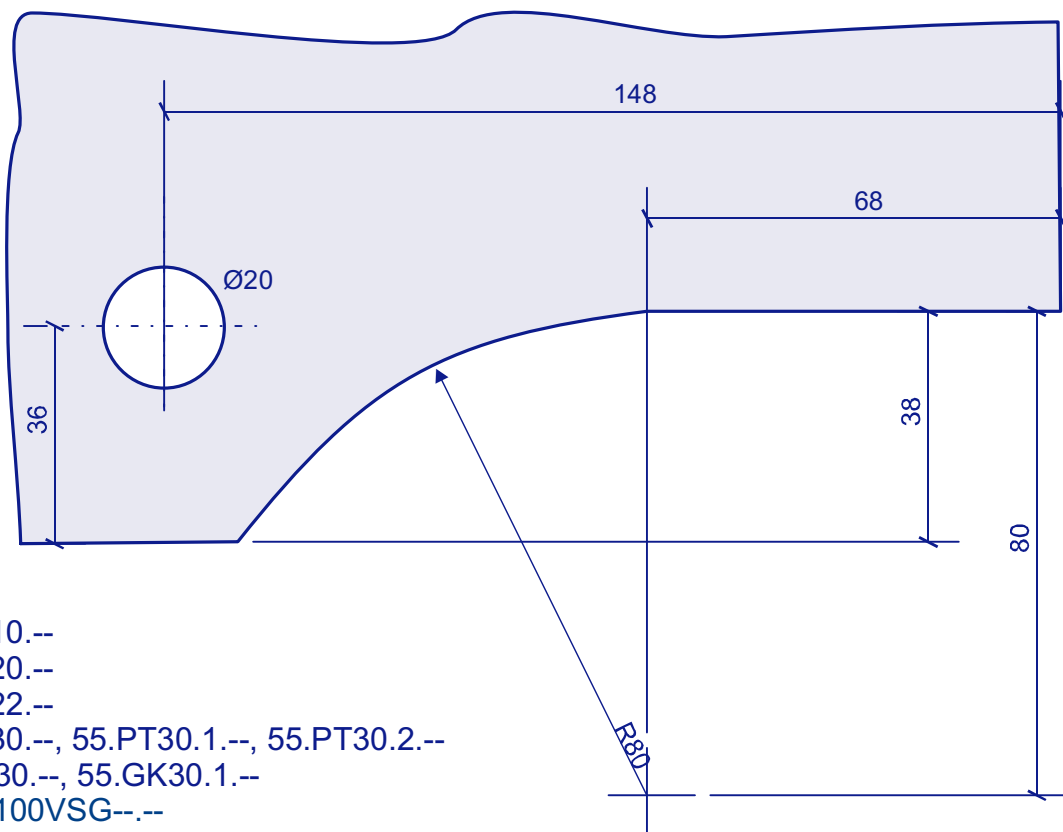
Suitable for 8, 10 or 12mm glass.
 Visually matches Model 2 and Model 5.
 No safety dowel required as two sides closed.
 Cast zinc, electro-plated or powder coated - for internal use only.

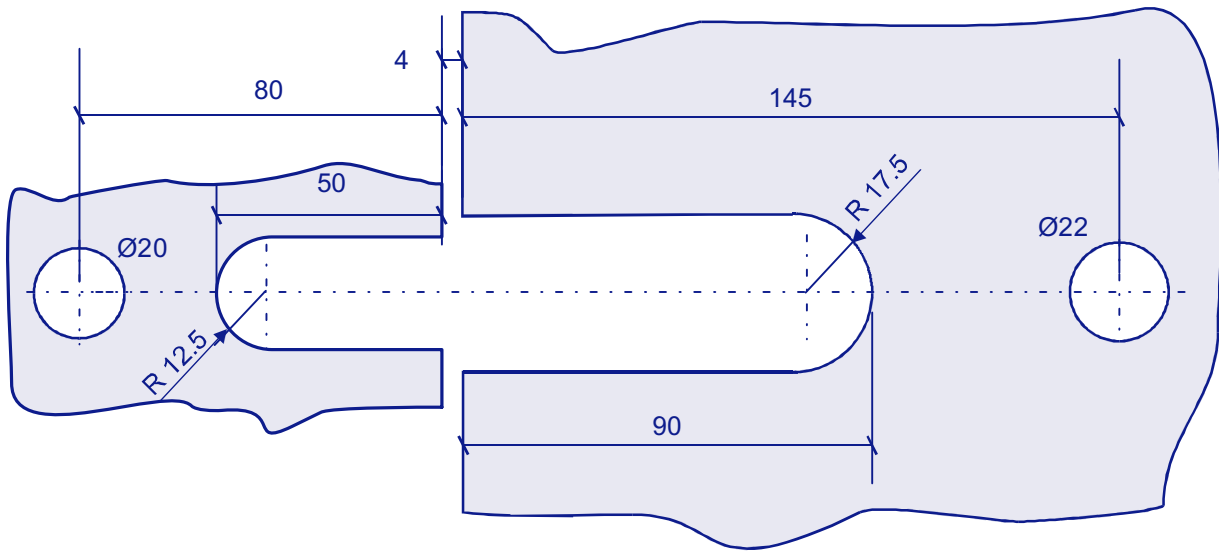
Please state glass thickness on order.

GLASS DRAWINGS

Glass drawings for the majority of our hardware follows:

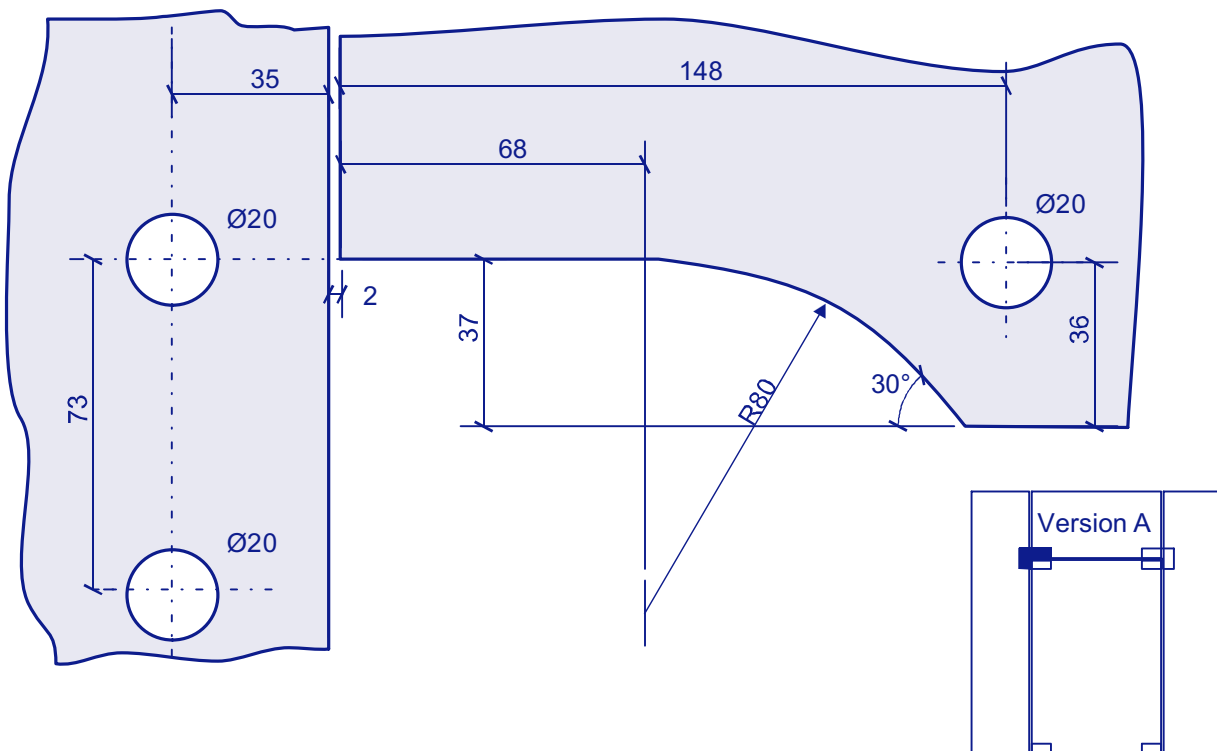
Although they were drawn to scale, for clarity they are not shown in 1:1. For glass manufacture please telephone the sales office and we will be happy to provide full scale drawings.



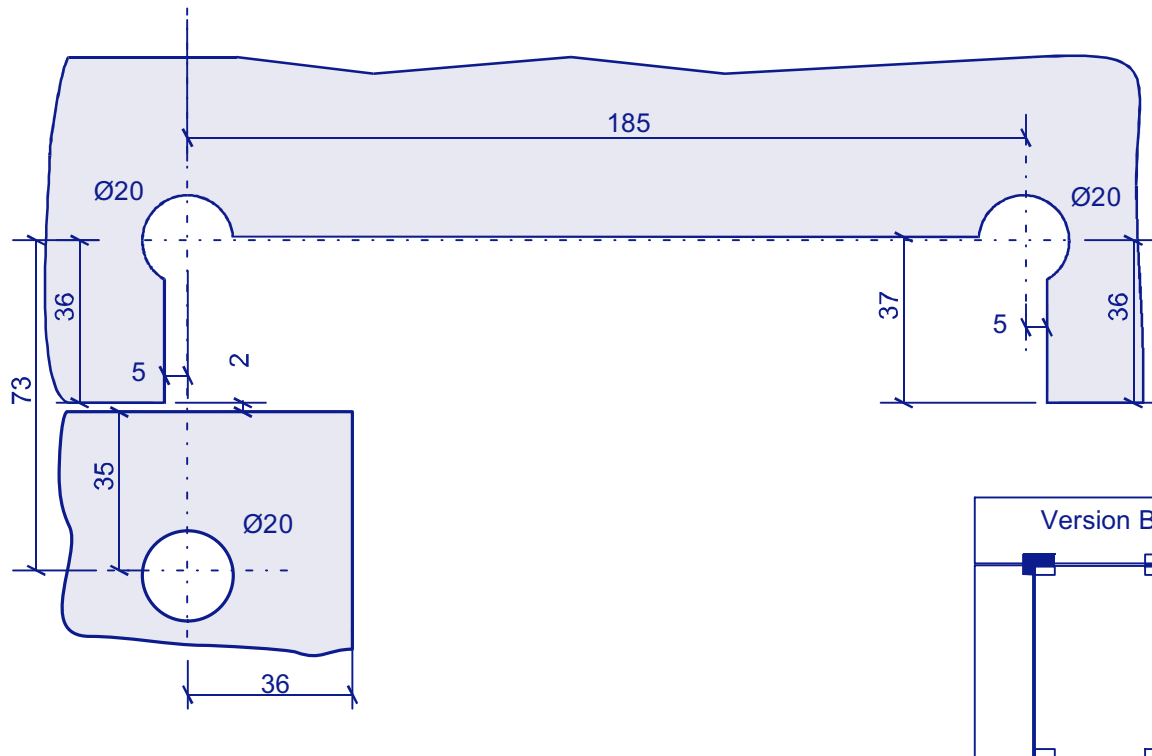


62.PT28.-- Fixed glass

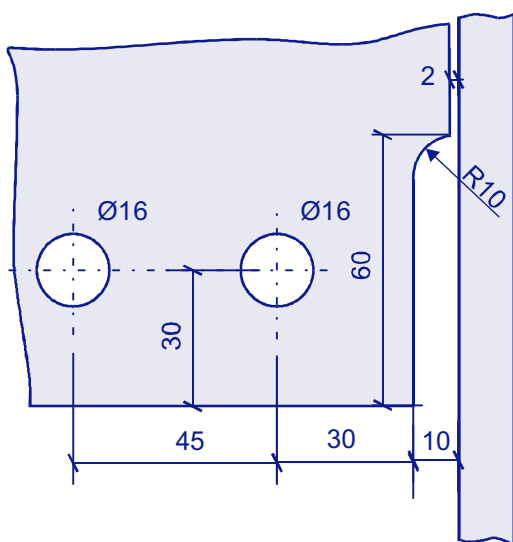
62.PT28.-- Door glass
62.PT29.--



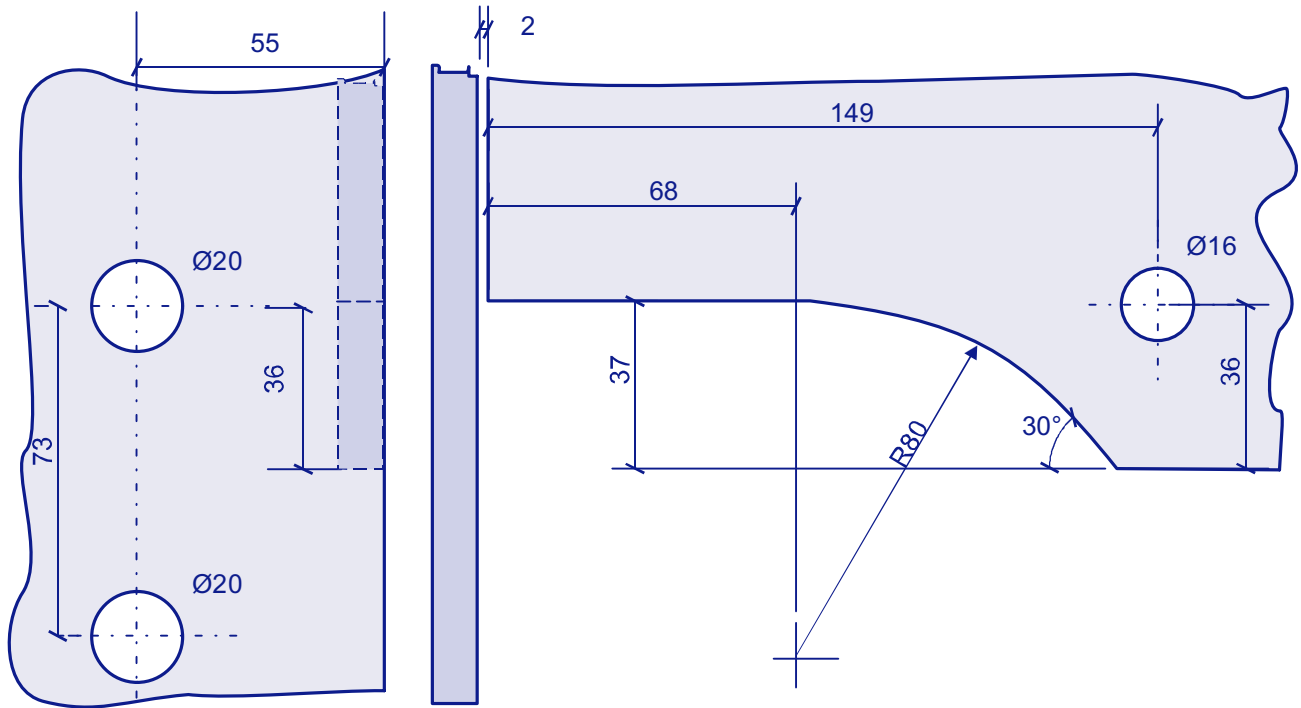
55.PT40.--, 55.PT40.1.--, 55.PT40.2.-- Version A
55.PT41.-- Version A Fixed panel and overlight
55.GK40.--, 55.GK40.1.--
55.GK41.--, 55.GK41.1.-- Version A Fixed panel and overlight
62.01.103VSG.--



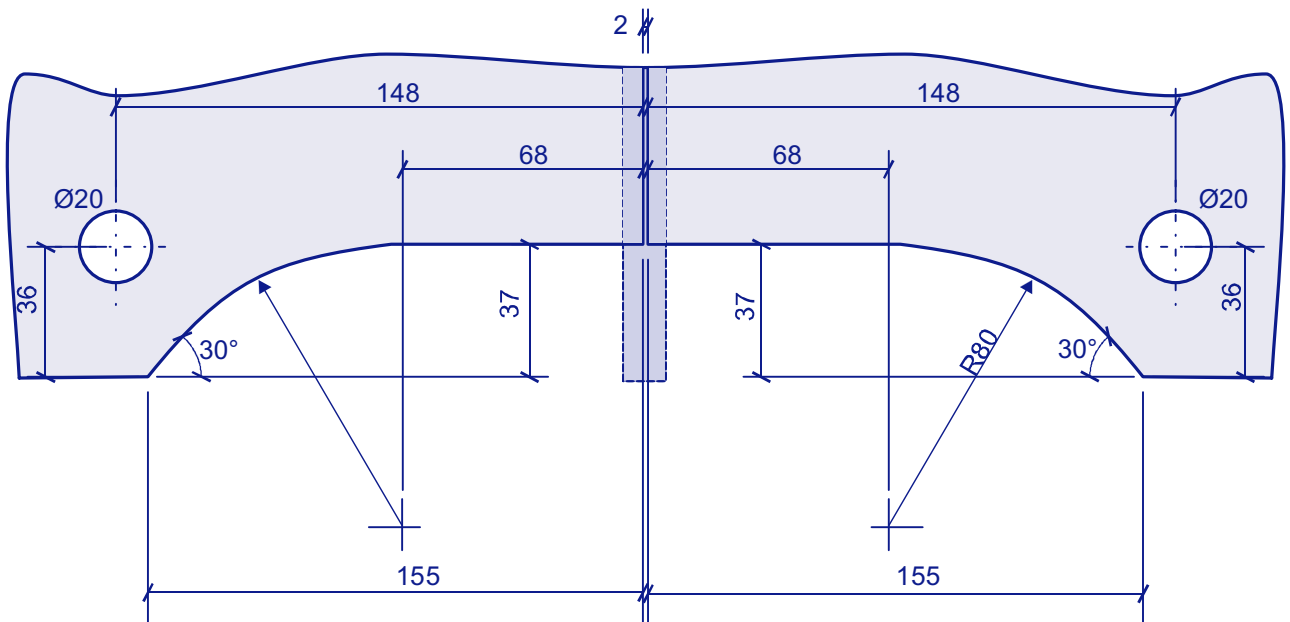
- 55.PT40.-- Version B
- 55.PT41.-- Version B Fixed panel and overlight
- 55.GK40.-- Version B
- 55.GK41.-- Version B Fixed panel and overlight



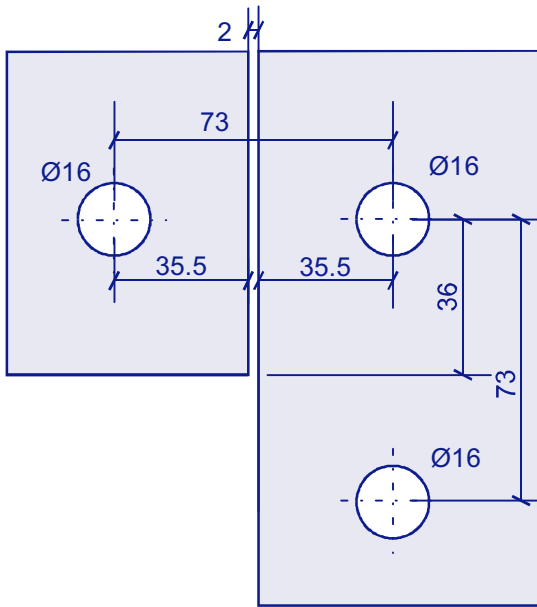
- 55.PT41.-- Stiffening Fin
- 55.PT51.-- Stiffening Fin



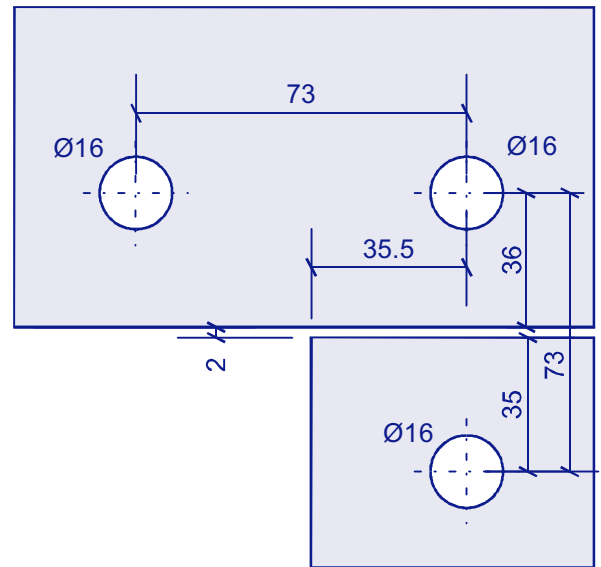
55.PT42.--
55.GK42.--



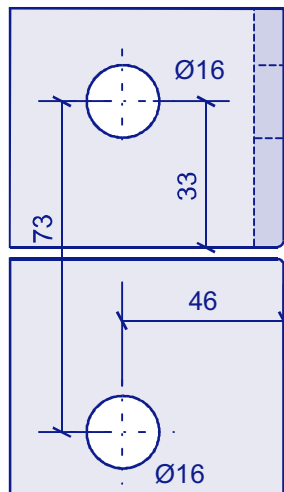
55.PT51.-- Front Glass
stiffening fin drawing on previous page



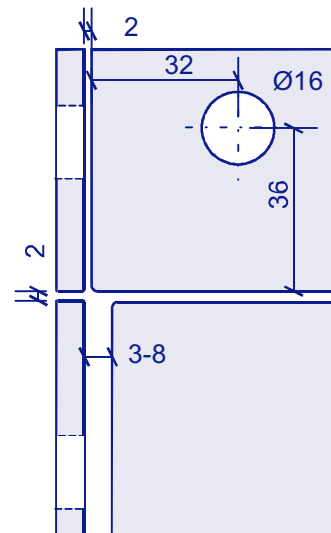
55.PT60.-- Full height side panel
55.PT61.-- Full height side panel

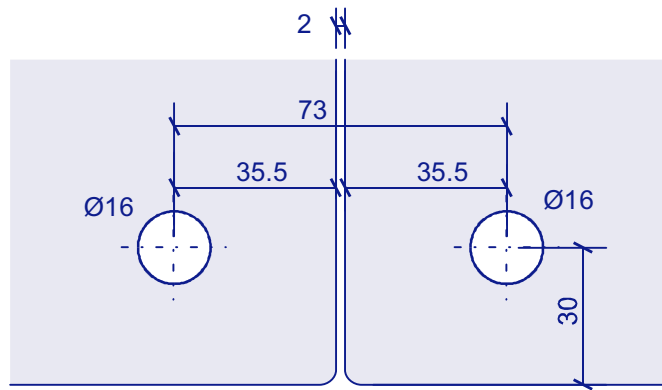


55.PT60.-- Full width oversight
55.PT61.-- Full width oversight

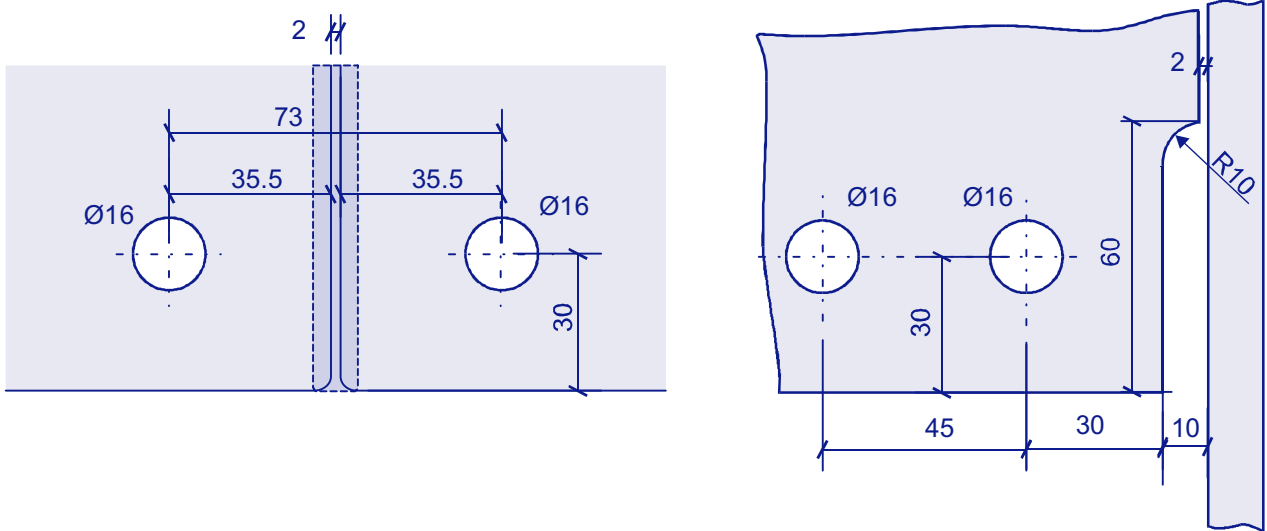


55.PT63.--
55.PT63.1.--

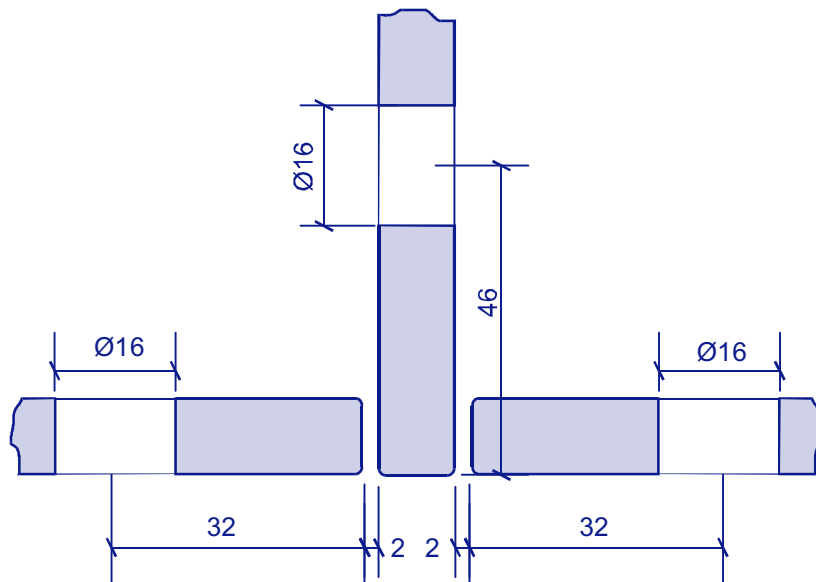




55.PT70.--
55.PT72.--

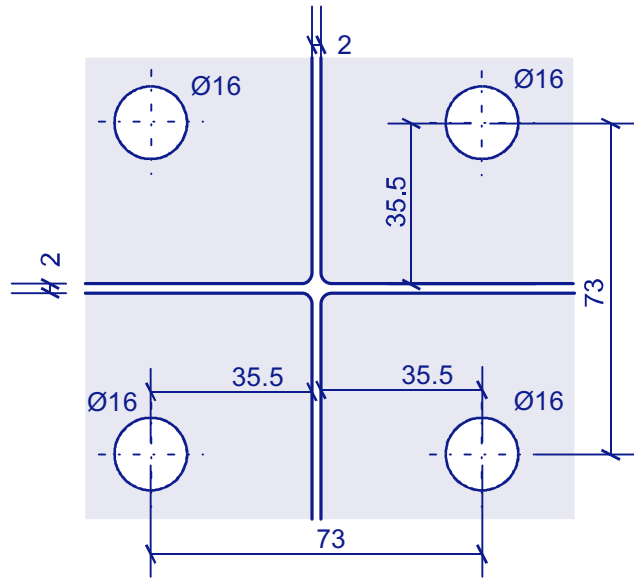


55.PT71.--
55.PT71.1.--

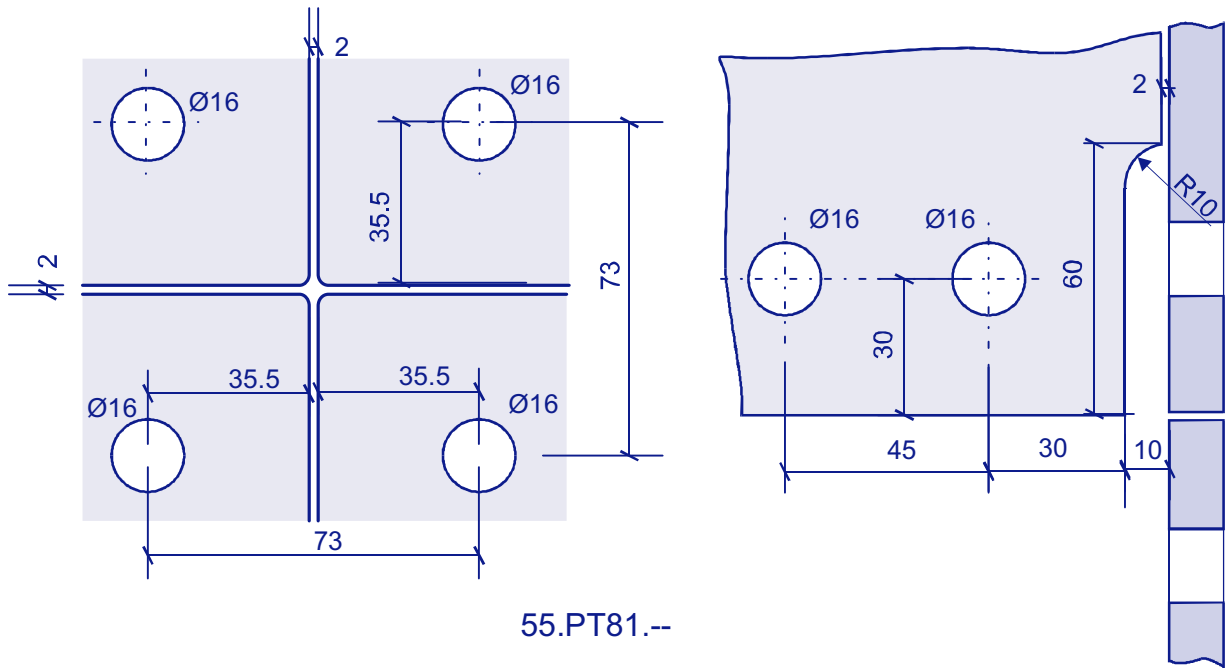


55.PT73.--
55.PT73.1.--
55.PT82

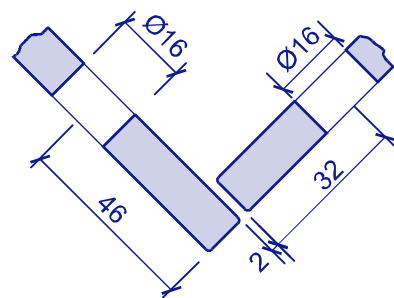
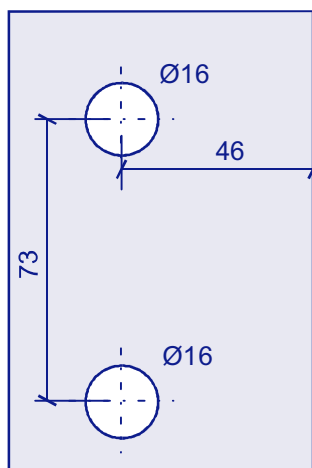
55.PT74.--



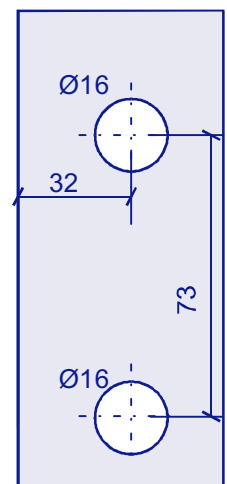
55.PT80.--

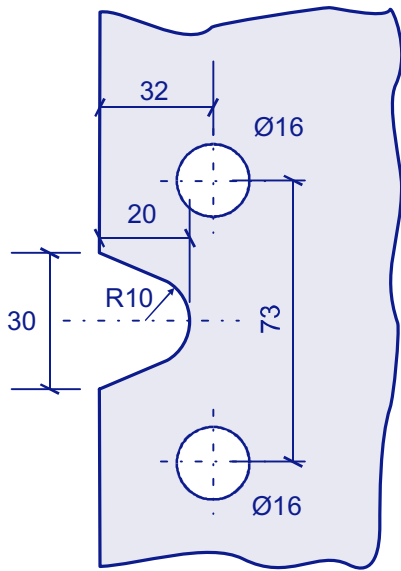


55.PT81.--

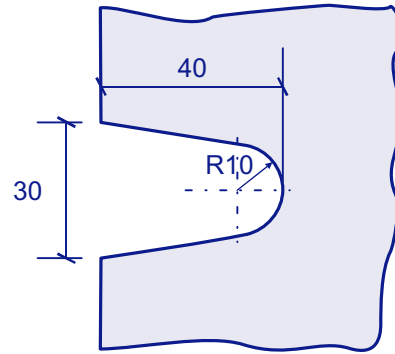


55.PT82.--

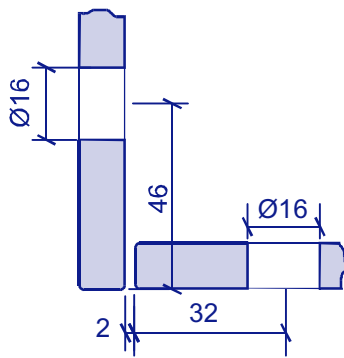




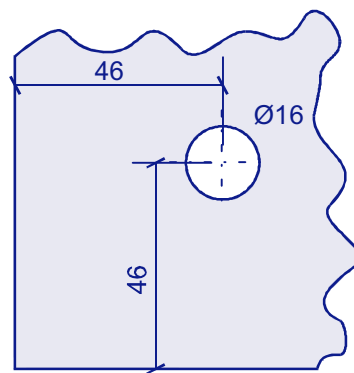
55.PT84.--



55.PT90.--

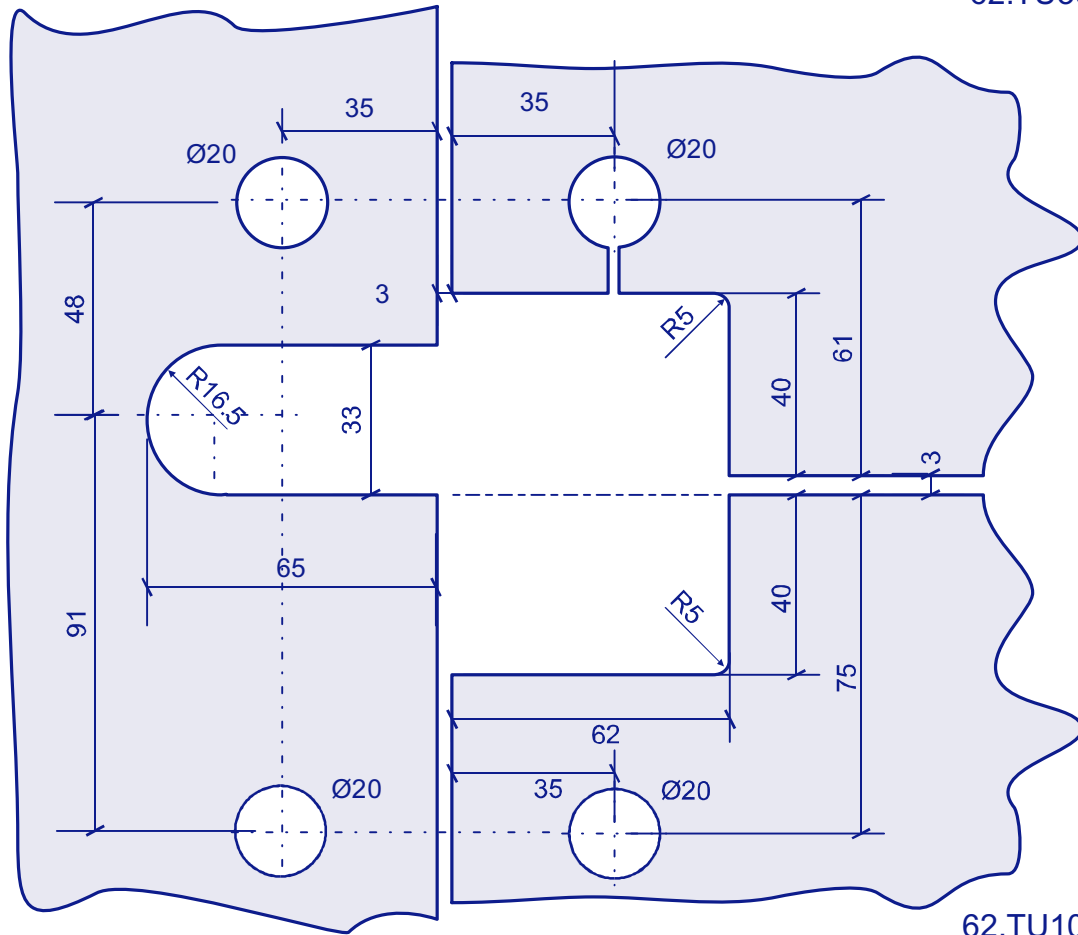


55.PT92.--

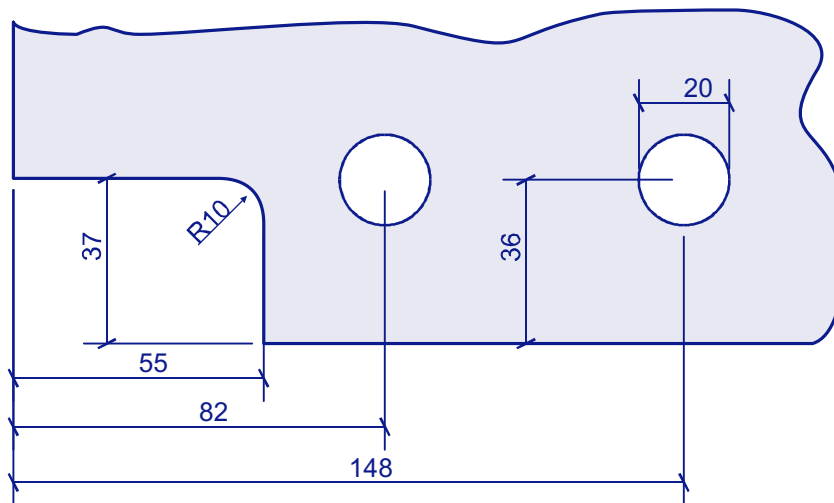


62.TU40.--

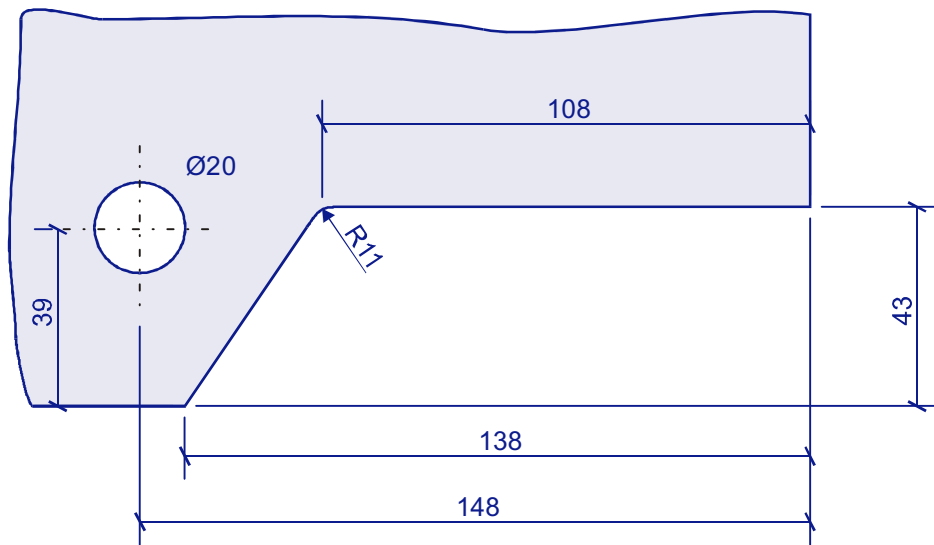
62.TU30.--



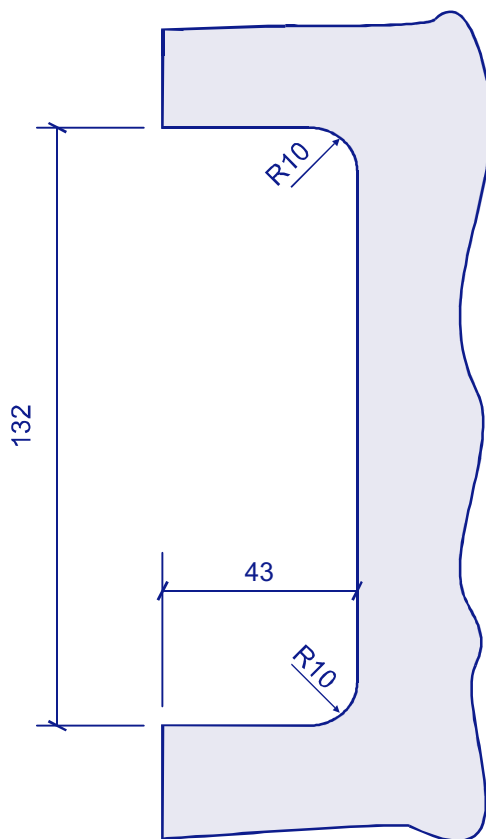
62.TU10.--
62.TU20.--



55.PT10PP15.--
55.PT20PP15

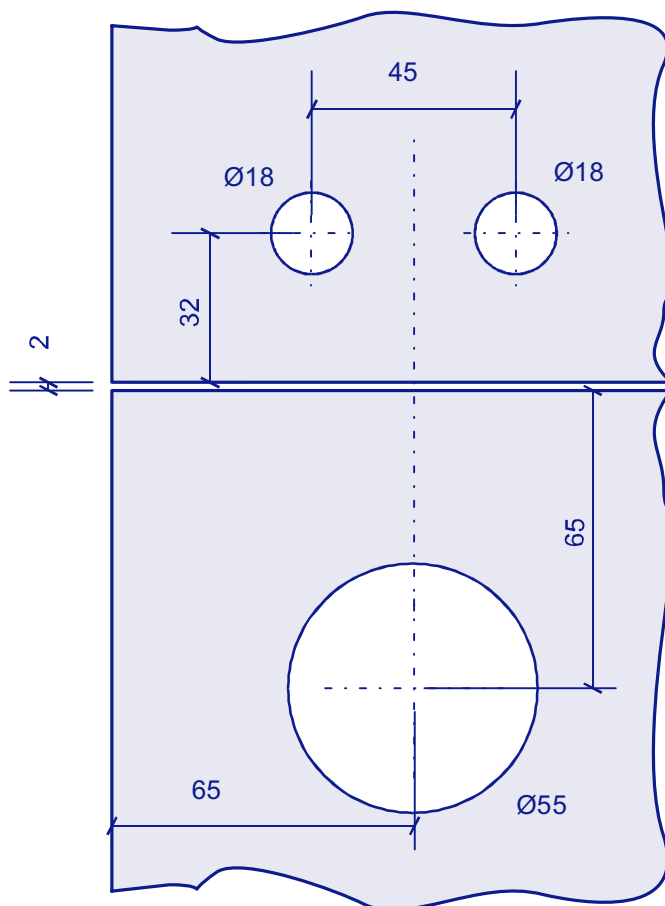


55.US10.--

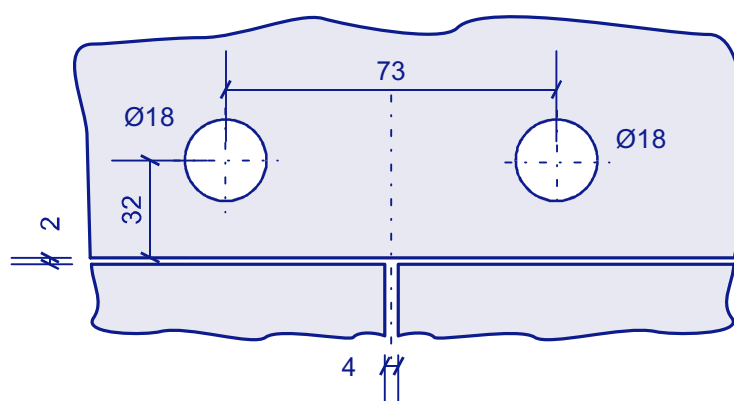


55.US20.--
55.GK50.--

55.GK33.--
55.GK34.--

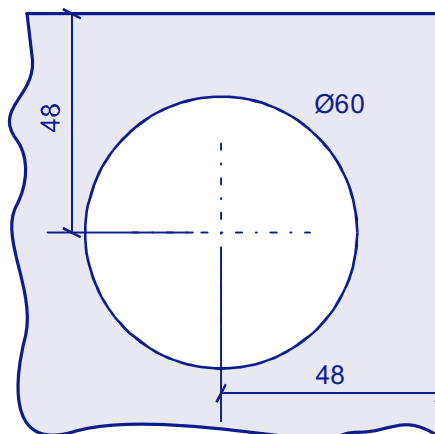


55.ES30.--

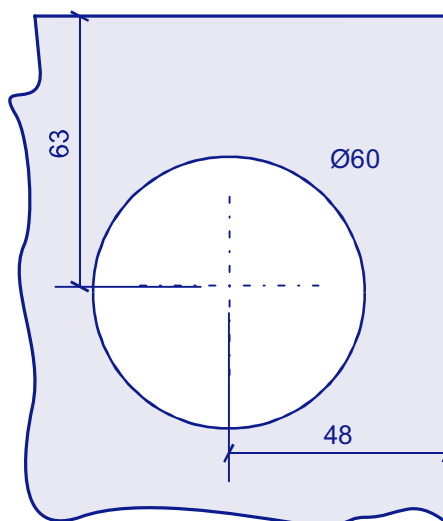


55.GK35.--
55.GK36.--

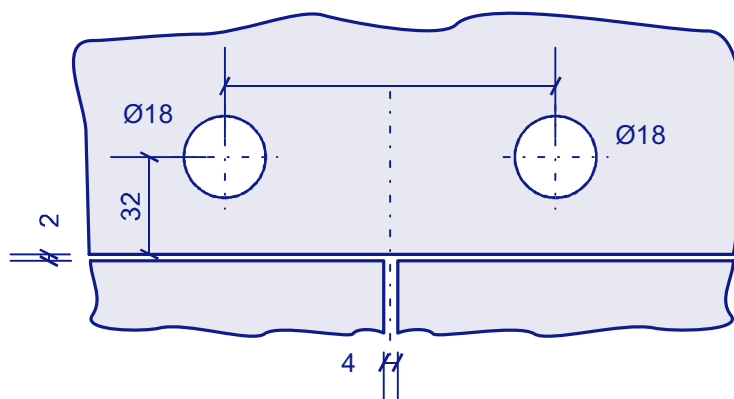
55.SL10.--
55.SL10.1.--
55.GK12.--

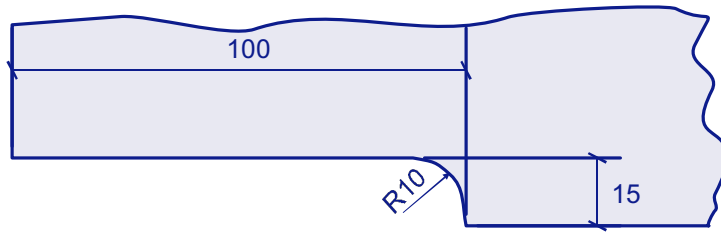


55.SL10.--
55.SL10.1.--
55.GK12.--

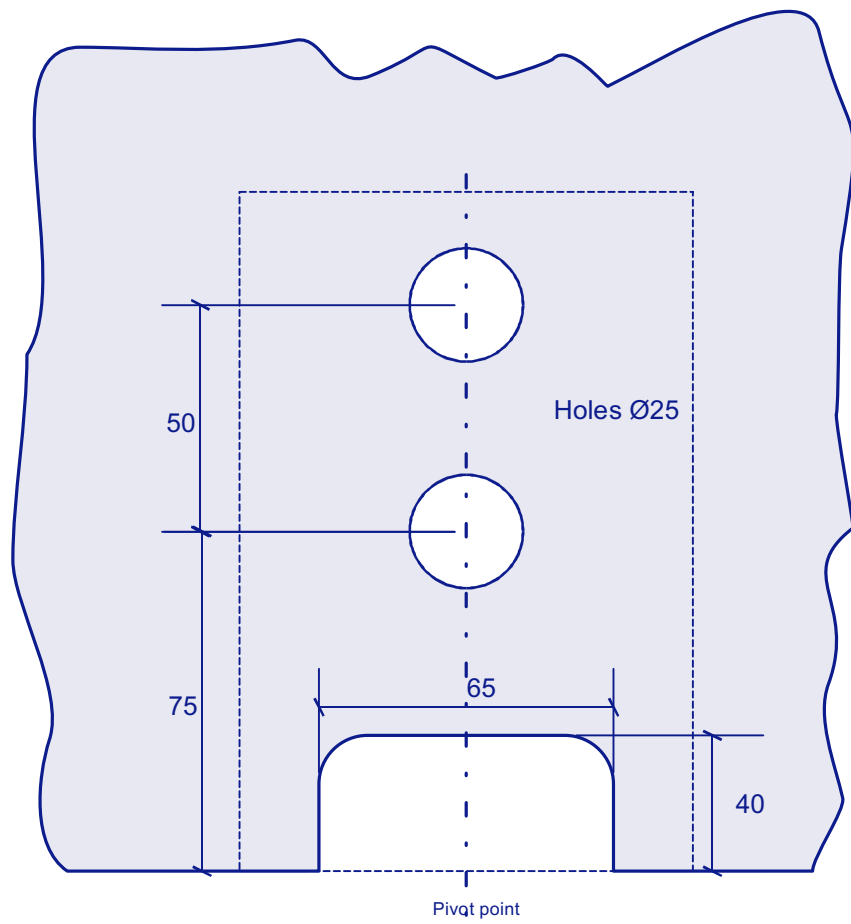


55.GK14.--

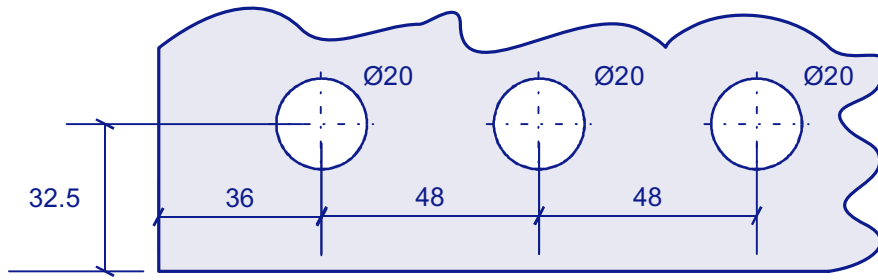




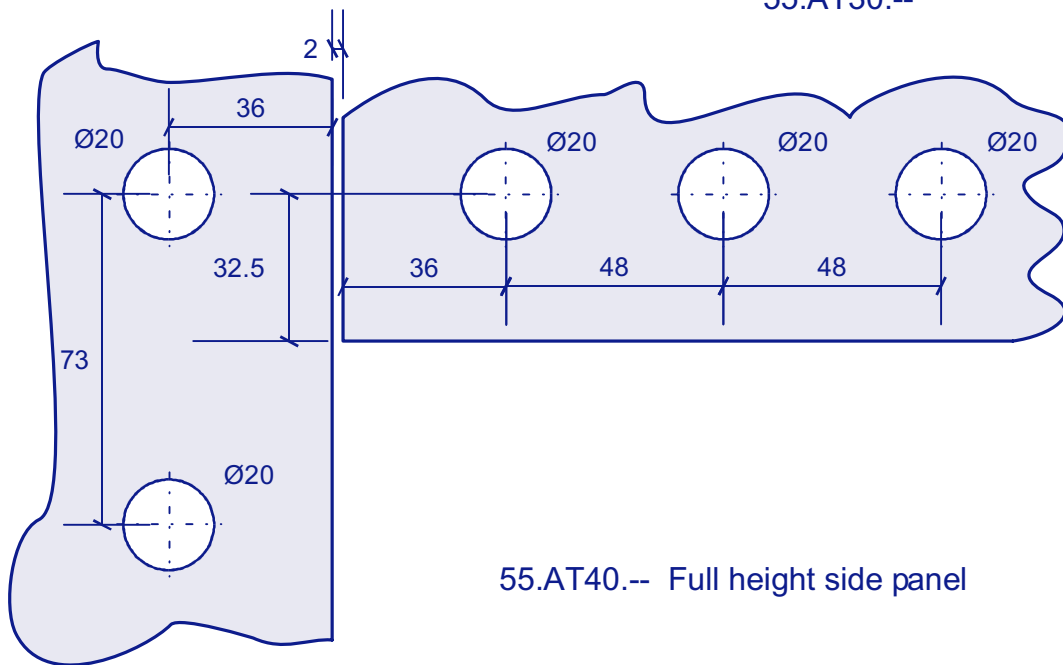
62.02.506.--
62.02.507.--



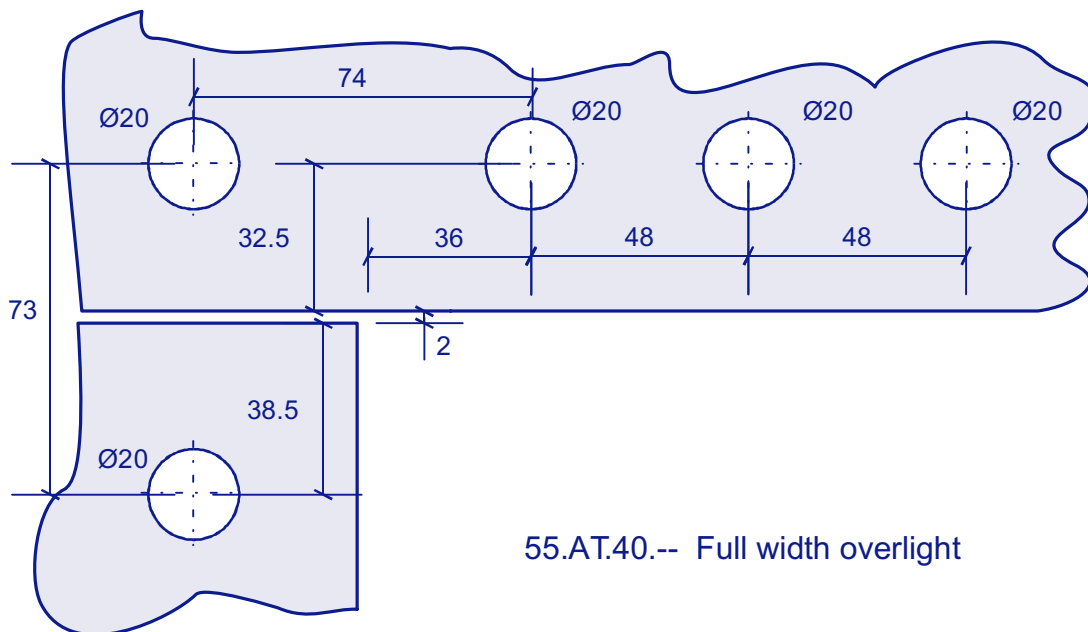
12.00037.31
12.00037S.--



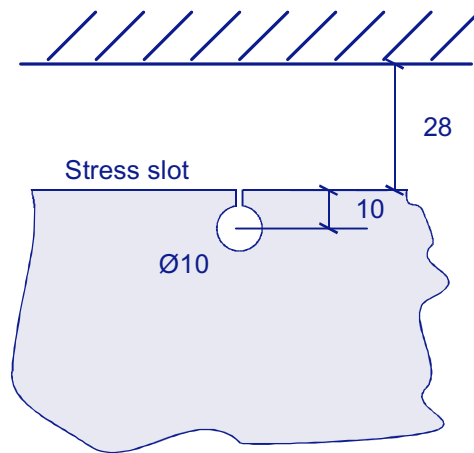
55.AT10.--
55.AT20.--
55.AT30.--



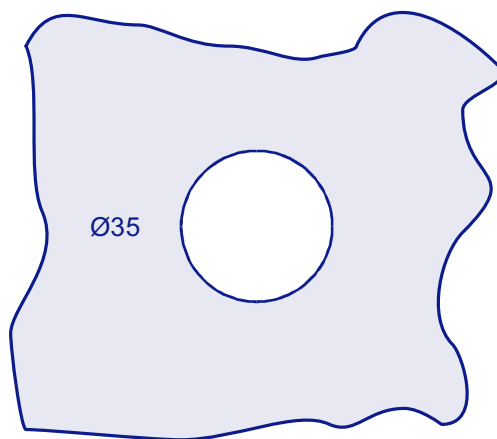
55.AT40.-- Full height side panel



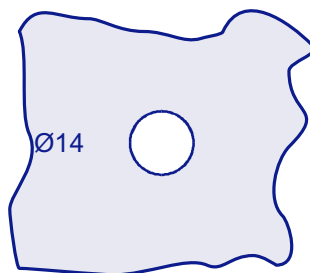
55.AT.40.-- Full width oversight



Wall connecting safety clamp



28.0002.--.31
28.0006.--.31



79.15.03.0090