

Canopies

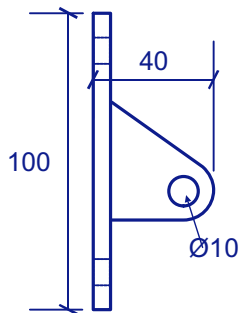
CANOPY SYSTEM

A simple point fitting canopy system. All the fittings are of V4A (316 equivalent) stainless steel.

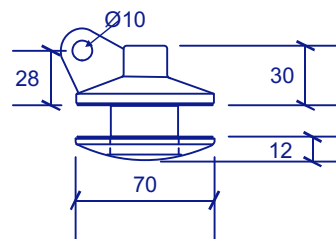
Continental standards require the glass to be 2 plys of 8 or 10mm heat strengthened glass laminated together using 2mm pvb foil. This will remain in place until removed even after catastrophic failure. The British Standards currently allow a single ply of heat soaked toughened glass.

When glass is suspended below a fitting, a countersink type fitting should not be used instead a shallow domed $\text{Ø}70$ cap should.

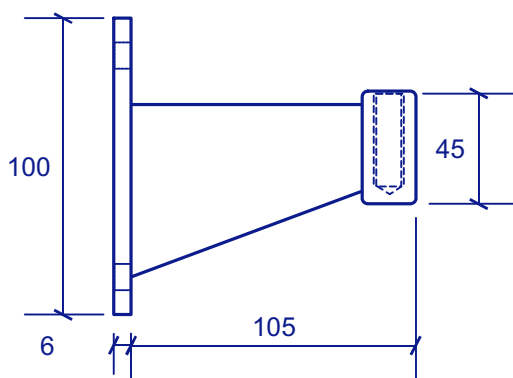
28.0019.31
Upper console



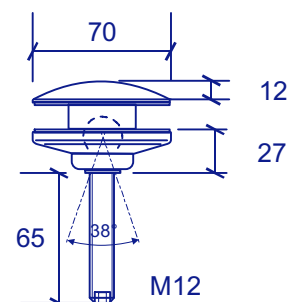
28.0006.70.31
Point fitting with eye bolt



28.0018.31
Lower console



28.0002.70.31
Point fitting with universal joint



28.0020.31
Rod and forks

